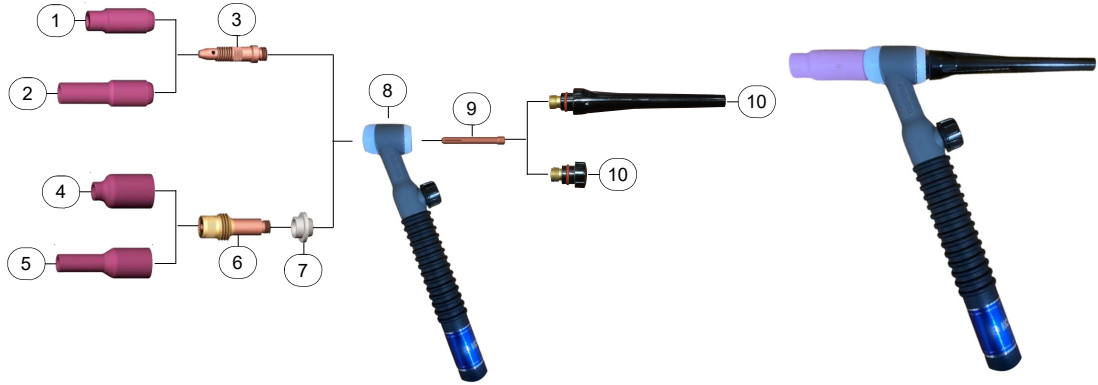




TIG Torch - Air Cooled - WP 17 V - 25 - 2



Advantageous

- Equipped with a gas valve for precise control and adaptability across various welding currents.
- Constructed with a full copper torch body, ensuring superior thermal efficiency and durability under demanding welding conditions.
- Silicone rubber torch body offers exceptional insulation and protection against high-frequency failures.
- Ergonomically designed nylon ribbed handle minimizes fatigue during prolonged use.
- Features a highly flexible welding cable with excellent insulation for enhanced safety and maneuverability
- Includes welding accessories that meet international standards for reliability and compatibility.

Specifications

Type of Cooling	Air
Gas Flow	7 - 15 l/min
Duty Cycle 60 % DC	150 A
Duty Cycle 60 % AC	135 A
Tungsten Electrode Ø	1.6 - 3.2 mm

Pos	Item Code	Item Name	MoQ
1	250.18.001.1	Alumina Nozzle Short - No. 5 (10N49) - Pro Tig 17 - 26 - 18 - 10 Pcs	1 Pack
	250.18.002.1	Alumina Nozzle Short - No. 6 (10N48) - Pro Tig 17 - 26 - 18 - 10 Pcs	1 Pack
	250.18.003.1	Alumina Nozzle Short - No. 7 (10N47) - Pro Tig 17 - 26 - 18 - 10 Pcs	1 Pack
	250.18.004.1	Alumina Nozzle Short - No. 8 (10N46) - Pro Tig 17 - 26 - 18 - 10 Pcs	1 Pack
2	250.19.001.1	Alumina Nozzle Long - No. 5 (10N49L) - Pro Tig 17 - 26 - 18 - 10 Pcs	1 Pack
	250.19.002.1	Alumina Nozzle Long - No. 6 (10N48L) - Pro Tig 17 - 26 - 18 - 10 Pcs	1 Pack
	250.19.003.1	Alumina Nozzle Long - No. 7 (10N47L) - Pro Tig 17 - 26 - 18 - 10 Pcs	1 Pack
3	250.23.001.1	Collet Body Ø 1.6 mm (10N31) - Pro Tig 17 - 26 - 18 - 5 Pcs	1 Pack
	250.23.002.1	Collet Body Ø 2.4 mm (10N32) - Pro Tig 17 - 26 - 18 - 5 Pcs	1 Pack
	250.23.003.1	Collet Body Ø 3.2 mm (10N28) - Pro Tig 17 - 26 - 18 - 5 Pcs	1 Pack
4	250.20.001.1	Alumina Nozzle Short Gas Lens - No. 4 (54N18) - Pro Tig 17 - 26 - 18 - 10 Pcs	1 Pack
	250.20.002.1	Alumina Nozzle Short Gas Lens - No. 5 (54N17) - Pro Tig 17 - 26 - 18 - 10 Pcs	1 Pack
	250.20.003.1	Alumina Nozzle Short Gas Lens - No. 6 (54N16) - Pro Tig 17 - 26 - 18 - 10 Pcs	1 Pack
	250.20.004.1	Alumina Nozzle Short Gas Lens - No. 7 (54N15) - Pro Tig 17 - 26 - 18 - 10 Pcs	1 Pack
	250.20.005.1	Alumina Nozzle Short Gas Lens - No. 8 (54N14) - Pro Tig 17 - 26 - 18 - 10 Pcs	1 Pack
5	250.21.001.1	Alumina Nozzle Long Gas Lens - No. 5 (54N17L) - Pro Tig 17 - 26 - 18 - 10Pcs	1 Pack
	250.21.002.1	Alumina Nozzle Long Gas Lens - No. 6 (54N16L) - Pro Tig 17 - 26 - 18 - 10 Pcs	1 Pack
	250.21.003.1	Alumina Nozzle Long Gas Lens - No. 7 (54N15L) - Pro Tig 17 - 26 - 18 - 10 Pcs	1 Pack
6	250.24.001.1	Collet Body Gas Lens Ø 1.6 mm (45V25) - Pro Tig 17 - 26 - 18 - 5 Pcs	1 Pack
	250.24.002.1	Collet Body Gas Lens Ø 2.4 mm (45V26) - Pro Tig 17 - 26 - 18 - 5 Pcs	1 Pack
	250.24.003.1	Collet Body Gas Lens Ø 3.2 mm (45V27) - Pro Tig 17 - 26 - 18 - 5 Pcs	1 Pack
7	250.24.005.1	Collet Body Gas Lens Insulator (54N01) - Pro Tig 17 - 26 - 18 - 5 Pcs	1 Pack
8	250.33.012.1	Torch Head WP 17V	1 Pcs
	250.33.013.1	Torch Head Flexible WP 17 FV	1 Pcs
9	250.22.001.1	Collet Ø 1.6 mm (10N23) - Pro Tig 17 - 26 - 18 - 5 Pcs	1 Pack
	250.22.002.1	Collet Ø 2.4 mm (10N24) - Pro Tig 17 - 26 - 18 - 5 Pcs	1 Pack
	250.22.003.1	Collet Ø 3.2 mm (10N25) - Pro Tig 17 - 26 - 18 - 5 Pcs	1 Pack
10	250.25.001.1	Back Cap Long (57Y02) - Pro Tig 17 - 26 - 18 - 5 Pcs	1 Pack
	250.25.002.1	Back Cap Short (57Y04) - Pro Tig 17 - 26 - 18 - 5 Pcs	1 Pack

Item Code	Item Name	MoQ
250.38.002	TIG Torch - Air Cooled - WP 17 V-	1 Set

Recommended

- 1 Kobewel Solarmatic Helmet



- 2 DACH Tungsten Electrodes



- 3 Neutrix Tungsten Grinder

